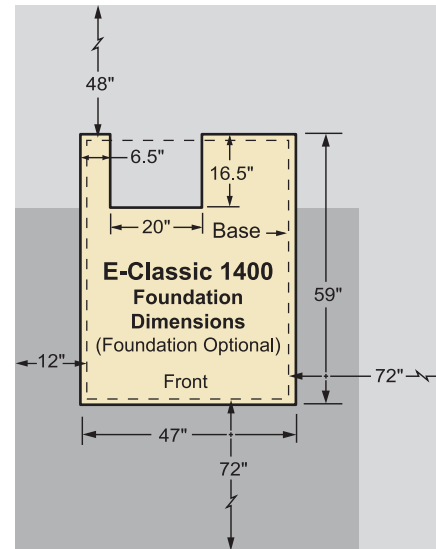
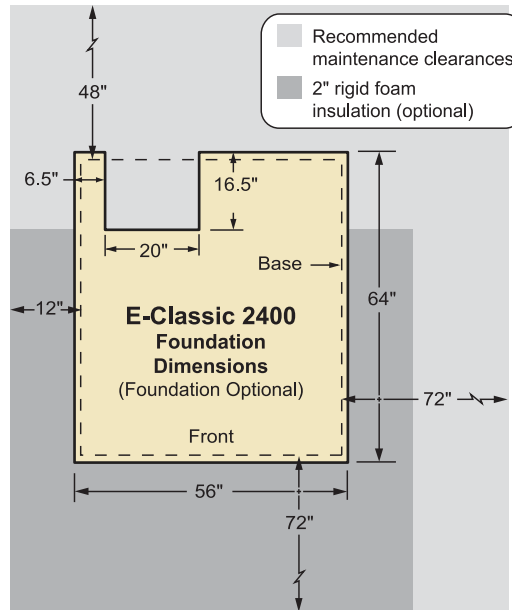
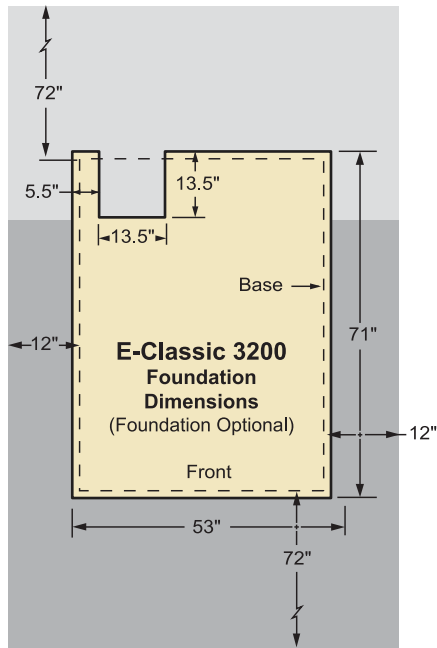


# CENTRAL BOILER E-CLASSIC®

## Furnace and Foundation Base Dimensions



Foundations dimensions are 1-1/2 in. beyond the outside perimeter of the base.

### E-Classic Measurements

	A	B	C	D	E	F	G	H	I
<b>E-Classic 1400</b>	44"	77"	56"	48"	58"	72"	150"	4"	36"
<b>E-Classic 2400</b>	53"	90"	61"	59"	62"	77"	161"	4"	35"
<b>E-Classic 3200</b>	50"	87"	68"	54"	70"	86"	167"	5"	37"

- Measurement (F) is from firebox door to chimney inspection cover.
- Measurement (G) includes two 4 ft. chimney sections.

Outdoor furnace must be installed on a noncombustible surface or foundation that incorporates an enclosure that will prevent supply and return lines from possible exposure to sunlight, fire, or physical damage that may be caused by an occurrence outside the outdoor furnace enclosure. Foundation may consist of concrete, crushed rock, or patio blocks.

